

# MCD Drape Offering Surgical Specialties



ISOLATION BAG

OPHTHALMIC  
INCISE

ANTIMICROBIAL  
C-SECTION

Medical Concepts Development



## MCD Agents work behind the scenes, keeping patients safe since 1984.

- Creating sterile fields
- Engineered for better sterile performance
- Original Vi-Drape® products offer unique solutions to many draping needs
- ACTI-Gard® antimicrobial reduces levels of microorganisms associated with post-op infections

## Made in USA Exclusively



- FDA Registered
- ISO 13485:2003 facility

## More Options



- Cost effective automation
- Customer specified product designs
- Private label options
- Converting capabilities

**ACTI-Gard® Antimicrobial Drapes**

D6635	ACTI-Gard® Antimicrobial Incise Drape	1	D6651	ACTI-Gard® Antimicrobial Incise Drape	1
D6640	ACTI-Gard® Antimicrobial Incise Drape	1	D6617	ACTI-Gard® Antimicrobial Patient Isolation Drape	2
D6648	ACTI-Gard® Antimicrobial Incise Drape	1	D6619	ACTI-Gard® Antimicrobial Patient Isolation Drape	2
D6650	ACTI-Gard® Antimicrobial Incise Drape	1	D6657	ACTI-Gard® Antimicrobial Cesarean Incise Pouch	2
			D6697	ACTI-Gard® Antimicrobial Cesarean Incise Sheet	2

**Original Vi-Drape®**

D371049	Vi-Drape® Wound Protector	3	D37624510	Vi-Drape® Incise Drape	4
D371062	Vi-Drape® Wound Protector	3	D37624610	Vi-Drape® Incise Drape	4
D371063	Vi-Drape® Wound Protector	3	D371053	Vi-Drape® Surgical Film	4
D371064	Vi-Drape® Wound Protector	3	D371054	Vi-Drape® Surgical Film	4
D37612210	Vi-Drape® Wound Protector	3	D371055	Vi-Drape® Isolation Bag	5
D37624310	Vi-Drape® Incise Drape	4	D376205	Vi-Drape® Spray Adhesive	5
D37624410	Vi-Drape® Incise Drape	4			

**Ophthalmic**

**INCISE**

D1021	Incise Drape	6
D1025	Incise Pouch	6
D1035	Incise Drape	6
D1060	Incise Drape	6
D1061	Incise Drape	6
D1062	Incise Drape	6
D1065	Incise Drape	7
D1165	Incise Sheet with moldable bridge	7
D2019	Incise Drape	7
D2258	Incise Drape	7
C1060L*	Incise Drape	7
C2312*	Incise Drape	7

**APERTURE**

D1020	Aperture Drape	8
D1022	Refractive Drape with split aperture	8
D1024	Aperture Pouch	8
D1030	Aperture Drape	8
D1031	Aperture Drape	8
D1064	Aperture Drape	8
D1122	Refractive Drape	9
D1164	Aperture Sheet with moldable bridge	9
D2020	Aperture Drape	9
D2043	Strabismus Drape	9
C2321*	Aperture Drape	9
C2334*	Refractive Drape	10
C2350*	Aperture Drape	10

**ACCESSORIES**

D2021	Irrigation Pouch	10
D2114	Irrigation Pouch	10
C2316*	Split Sheet	10

**Ortho/CV/Neuro**

**U-DRAPE**

D1015	Poly U-Drape	11
D1019	Poly U-Drape	11

**INCISE**

D1040	Incise Drape	11
D1050	Incise Drape	11
D1051	Incise Drape	11

**OTHER**

D1013	C-Arm Cover	12
D1014	Patient Isolation Drape	12
D1017	Patient Isolation Drape	12
D1067	Shoulder Pouch	12
D2024	"Slush" Drape	12
D2029	Tape Strip	12

**General & Utility**

**CENTRAL LINE**

D2317C	Central Line Sheet	13
D2342	PICC Line Insertion Sheet	13
C2324*	Central Line Drape	13
C2346*	Central Line Sheet	13
C2351*	PICC Line Drape	13

**UTILITY**

D1000	Towel Drape	14
D1010	Towel Drape	14
D1000RL	PREP-Drape® Towel Drape on a Roll	14
D1010RL	PREP-Drape® Towel Drape on a Roll	14
D1089	Utility Drape (2 Drapes per pkg)	14
C2235*	Absorbent Impervious Sheet	14

**BAGS/POUCHES**

D1003	Isolation Bag	15
-------	---------------	----

D1016	Fluid Pouch	15
D1018	Instrument Pouch	15
D1018L	Instrument Pouch	15
C2326*	Irrigation Pouch	15

**MATS**

D2076NS	Floor Mat	16
D2246NS	Floor Mat	16
C2176NS*	U Floor Mat	16

**COVERS**

D2007	Clear Cover	16
D2008	Clear Cover	16
D2158	Instrument Cover	16
C2107*	Powerhead Injection Cover	17
C2225NS*	Gurney Cover	17
C2295*	Instrument Cover	17
C2329*	Instrument Cover	17
C2338*	Monitor Cover	17

**APERTURE**

D1092	Minor Procedure Drape	18
D2147	Aperture Drape	18
C2153*	Small Aperture Sheet	18
C2280*	Small Aperture Drape	18
C2299*	Small Aperture Drape	18
C2327*	Aperture Drape	18
C2348*	Epidural Drape	19
C2358*	Epidural Drape	19

**OB/GYN/Urology**

D1071	Urological Drape	20
D1072	Aperture Pouch	20
D2057	Cesarean Incise Pouch	20
D2085	Peri/OB Drape	20
C2111*	Foam Circumcision Drape	20

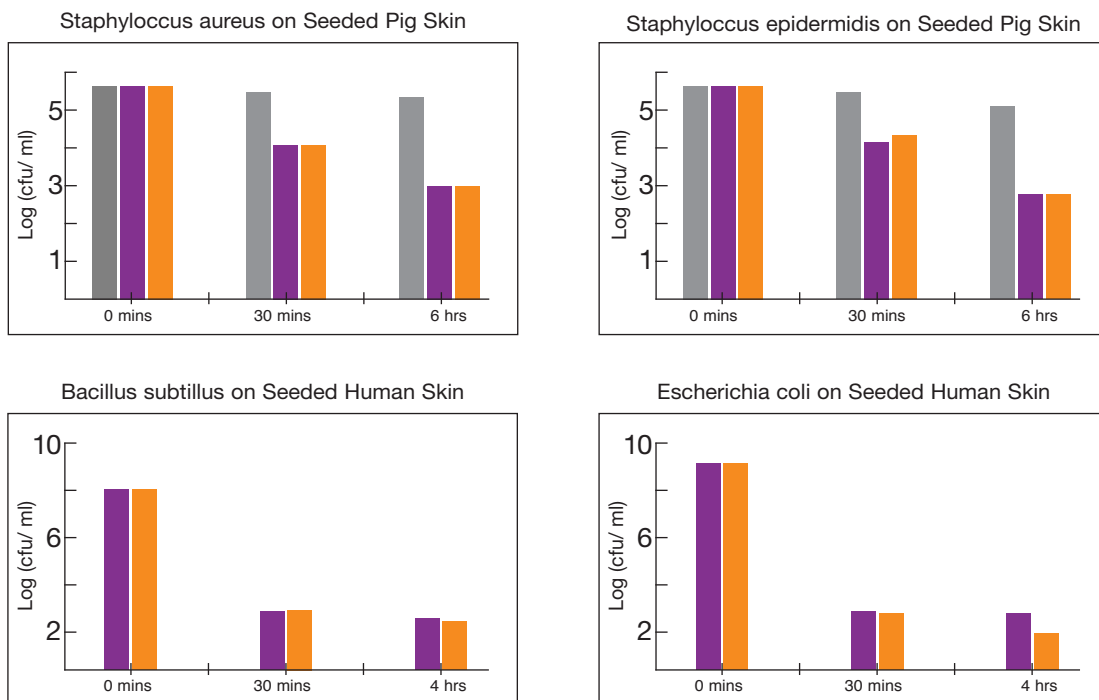
# Why buy MCD ACTI-Gard<sup>®</sup> antimicrobial drapes?

- Effectively reduces the levels of microorganisms associated with post-operative infection
- Cost-effective: available bulk nonsterile for use in procedural packs/trays
  - Antimicrobial: revolutionary stable iodine complex
- Nonirritating and nonsensitizing



## Log Count of Selected Microorganisms vs Time ACTI-Gard<sup>®</sup> and Ioban<sup>™</sup> 2 on seeded Pig and Human Skin

■ Control ■ Ioban 2 ■ ACTI-Gard

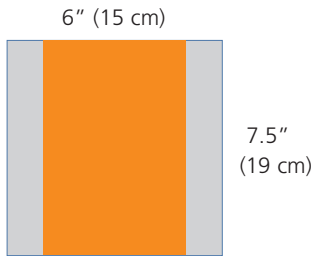


ACTI-Gard® Antimicrobial Incise

Antimicrobial Incise Drape

D6635

Adhesive Area  
4" x 7.5" (10 cm x 19 cm)



Sterile: 10/bx  
Nonsterile: 200/cs

Antimicrobial Incise Drape

D6650

Adhesive Area  
23.5" x 18" (60 cm x 50 cm)

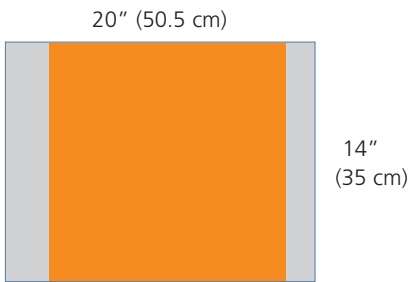


Sterile: 10/bx  
Nonsterile: 100/cs

Antimicrobial Incise Drape

D6640

Adhesive Area  
14" x 14" (35 cm x 35 cm)

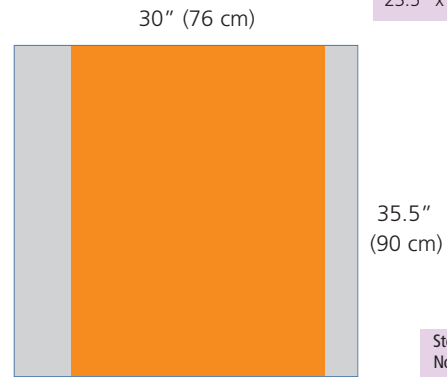


Sterile: 10/bx  
Nonsterile: 100/cs

Antimicrobial Incise Drape

D6651

Adhesive Area  
23.5" x 35.5" (60 cm x 90 cm)

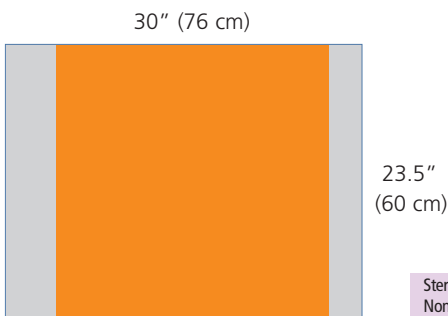


Sterile: 10/bx  
Nonsterile: 100/cs

Antimicrobial Incise Drape

D6648

Adhesive Area  
23.5" x 23.5" (60 cm x 60 cm)



Sterile: 10/bx  
Nonsterile: 100/cs

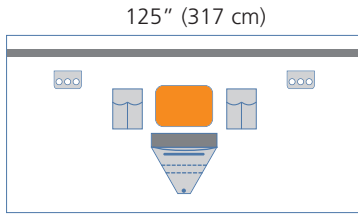
PRODUCT KEY:

- Antimicrobial Adhesive
- Adhesive
- Blue Film
- Matte Film
- Clear Film
- Nonwoven Fabric

# ACTI-Gard® Antimicrobial Incise

## Antimicrobial Patient Isolation Drape D6617

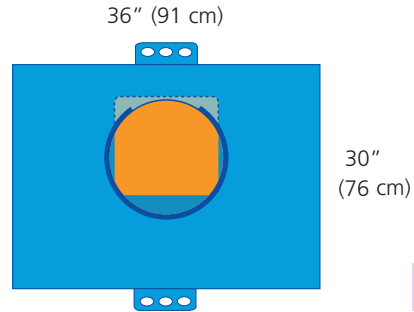
**Adhesive Area**  
19" x 14" (48 cm x 35 cm)  
**Adhesive Strip**  
125" x .5" (317 cm x 1.3 cm)  
**Fluid Pouch**  
20" x 19" (51 cm x 48 cm)  
**Instrument Pouches**  
(2) 6.7" x 11.5" (17 cm x 29 cm)



Sterile: 5/bx  
Nonsterile: 50/cs

## Antimicrobial Cesarean Incise Pouch D6657

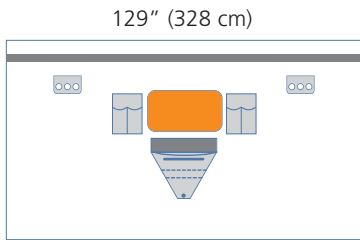
**Adhesive Area**  
14" x 14.5" (35 cm x 36 cm)



Sterile: 10/bx  
Nonsterile: 50/cs

## Antimicrobial Patient Isolation Drape D6619

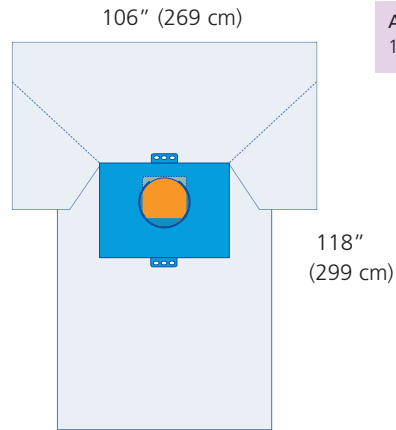
**Adhesive Area**  
30" x 14" (76 cm x 35 cm)  
**Adhesive Strip**  
129" x 1" (328 cm x 2.5 cm)  
**Fluid Pouch**  
20" x 19" (51 cm x 48 cm)  
**Instrument Pouches**  
(2) 6.7" x 11.5" (17 cm x 29 cm)



Sterile: 5/bx  
Nonsterile: 40/cs

## Antimicrobial Cesarean Incise Sheet D6697

**Adhesive Area**  
14" x 14.5" (35 cm x 36 cm)



Sterile: 5/bx  
Nonsterile: 30/cs

# Why buy MCD Original **Vi-Drape**<sup>®</sup> products?

Unique solutions to your draping needs.



## Original Vi-Drape<sup>®</sup> Wound Protectors

- Keep wound edges moist and reduce tissue trauma to exposed incision site
- Soft, matte finish film helps prevent mechanical tissue abrasion



## Original Vi-Drape<sup>®</sup> Adhesive Spray and Surgical Film

- Medical grade adhesive adheres Surgical Film or other drapes/linen to skin
- Clear Surgical Film film over Adhesive Spray creates an incise drape ideal for smooth skin surfaces



## Original Vi-Drape<sup>®</sup> Isolation Bag

- Isolates distal portions of extremities and protects bowel tissues
- Clear film allows observation of extremity and bowel



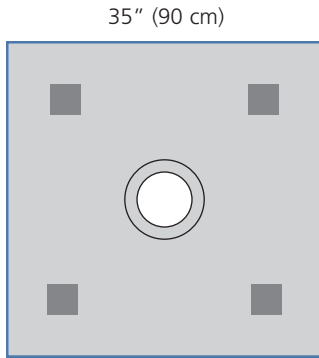
## Original Vi-Drape<sup>®</sup> Incise Drapes

- Creates and extends the surgical site and helps prevent cross contamination
- Breathable film adheres to skin throughout long procedures

Vi-Drape® Wound Protectors

Wound Protector

D37612210



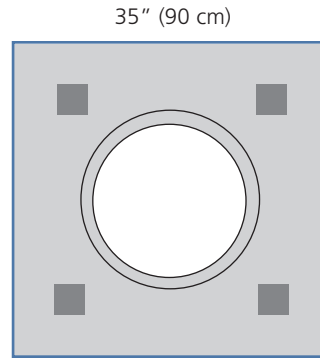
**Ring**  
3" Dia. (7 cm Dia.)  
**Adhesive Tabs**  
(4) 2" x 2" (5 cm x 5 cm)

35"  
(90 cm)

Sterile: 40/bx  
Nonsterile: 100/cs

Wound Protector

D371063



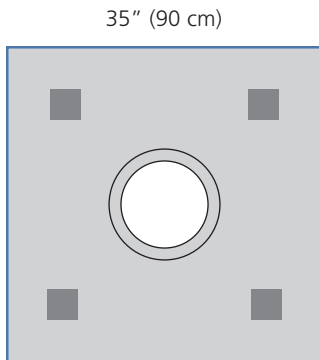
**Ring**  
9" Dia. (23 cm Dia.)  
**Adhesive Tabs**  
(4) 2" x 2" (5 cm x 5 cm)

35"  
(90 cm)

Sterile: 10/bx  
Nonsterile: 100/cs

Wound Protector

D371062



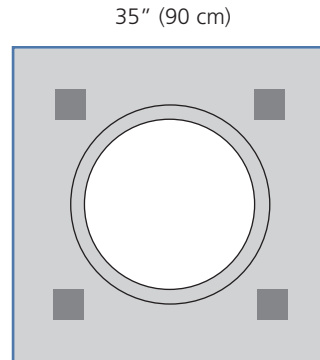
**Ring**  
5" Dia. (12 cm Dia.)  
**Adhesive Tabs**  
(4) 2" x 2" (5 cm x 5 cm)

35"  
(90 cm)

Sterile: 10/bx  
Nonsterile: 100/cs

Wound Protector

D371064



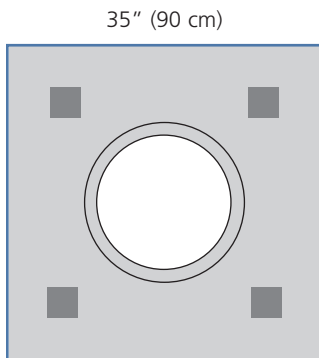
**Ring**  
11" Dia. (28 cm Dia.)  
**Adhesive Tabs**  
(4) 2" x 2" (5 cm x 5 cm)

35"  
(90 cm)

Sterile: 10/bx  
Nonsterile: 100/cs

Wound Protector

D371049



**Ring**  
7" Dia. (18 cm Dia.)  
**Adhesive Tabs**  
(4) 2" x 2" (5 cm x 5 cm)

35"  
(90 cm)

Sterile: 10/bx  
Nonsterile: 100/cs

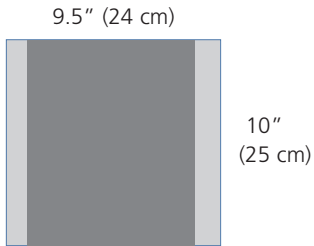
PRODUCT KEY:  Adhesive  Matte Film  Clear Film

Vi-Drape® Incise & Surgical Film

Incise Drape

D37624310

Adhesive Area  
7.5" x 10" (19 cm x 25 cm)

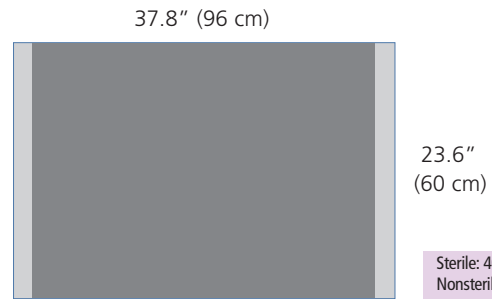


Sterile: 40/bx  
Nonsterile: 100/cs

Incise Drape

D37624610

Adhesive Area  
36" x 23.6" (91 cm x 60 cm)

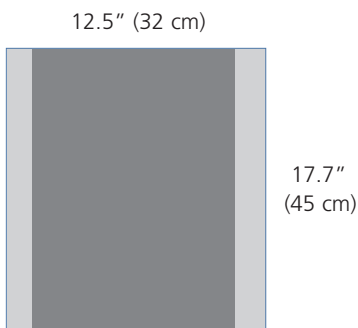


Sterile: 40/bx  
Nonsterile: 100/cs

Incise Drape

D37624410

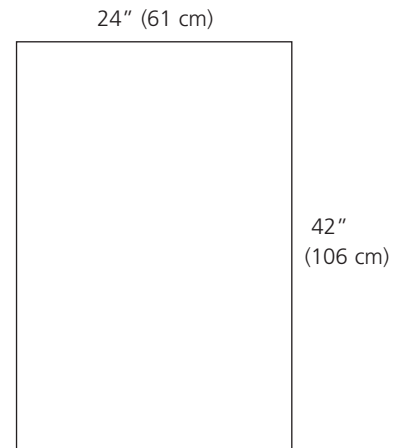
Adhesive Area  
10.5" x 17.7" (27 cm x 45 cm)



Sterile: 40/bx  
Nonsterile: 100/cs

Surgical Film

D371053

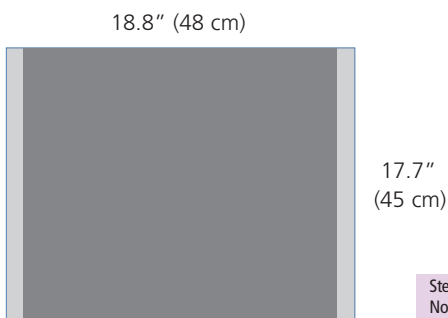


Sterile: 10/bx  
Nonsterile: 100/cs

Incise Drape

D37624510

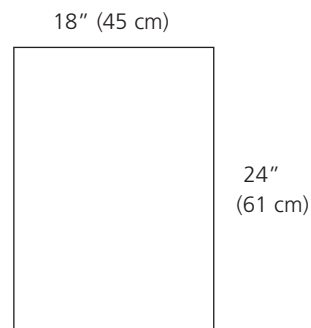
Adhesive Area  
17 x 18" (44 cm x 45 cm)



Sterile: 40/bx  
Nonsterile: 100/cs

Surgical Film

D371054



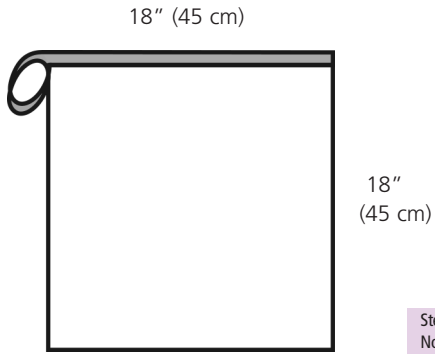
Sterile: 10/bx  
Nonsterile: 100/cs

PRODUCT KEY:  Adhesive  Matte Film  Clear Film

# Original Vi-Drape®

## Isolation Bag

D371055



Sterile: 10/bx  
Nonsterile: 100/cs

## Spray Adhesive

D376205

Size  
5 oz. Can



Nonsterile: 12/cs

PRODUCT KEY:

-  Adhesive
-  Matte Film
-  Clear Film



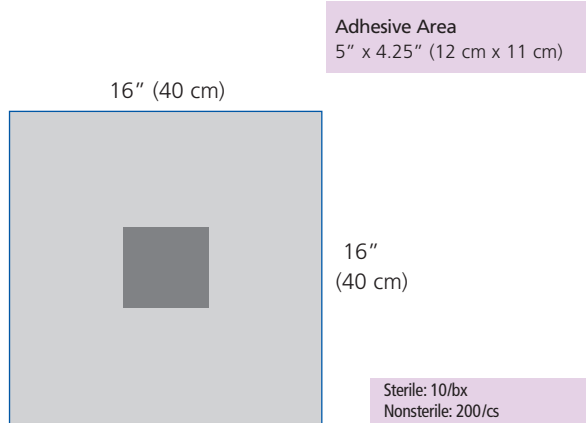
## Why buy MCD drapes?

- High quality, yet cost-effective
- Complete line of specialty drapes
- Unique designs and features
- Largest selection of draping options available

## Ophthalmic Incise Drapes

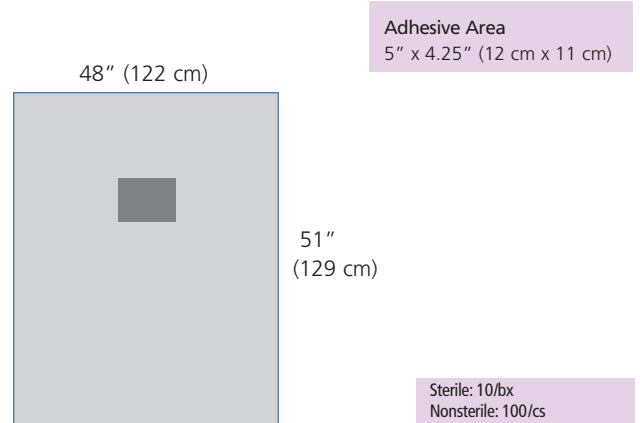
Incise Drape

D1021



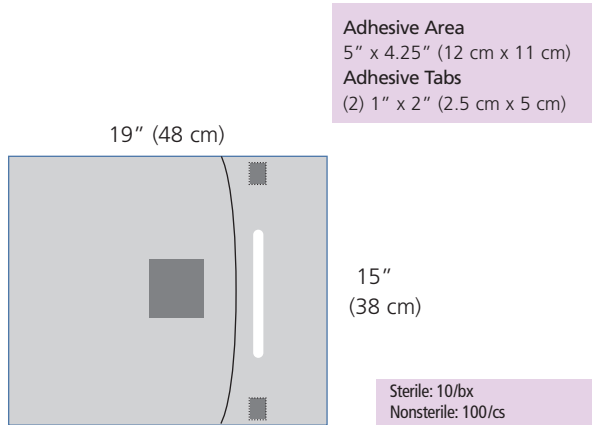
Incise Drape

D1060



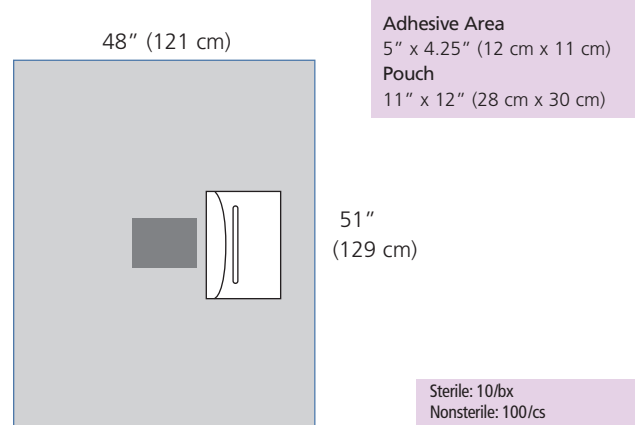
Incise Pouch

D1025



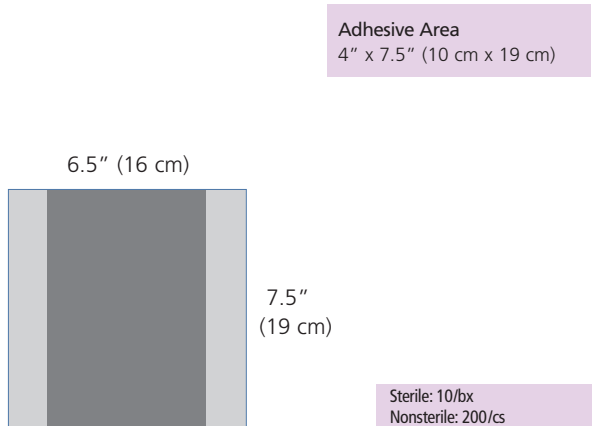
Incise Drape

D1061



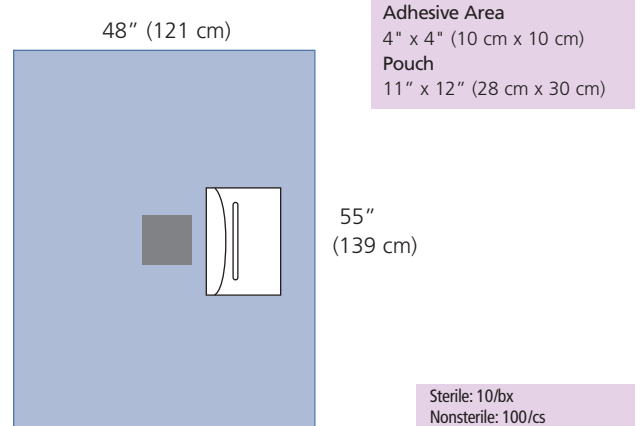
Incise Drape

D1035



Incise Drape

D1062

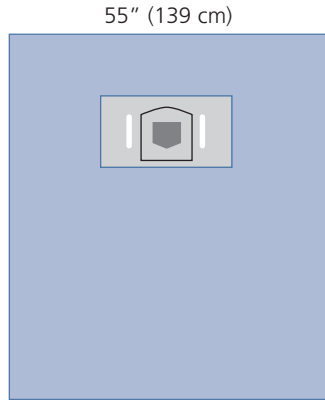


PRODUCT KEY:  Adhesive  Matte Film  Clear Film  Nonwoven Fabric

Ophthalmic Incise Drapes

Incise Drape

D1065



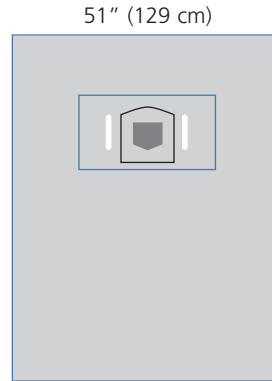
Adhesive Area  
4.5" x 5" (11 cm x 12 cm)  
Pouch  
21" x 11.5" (53 cm x 29 cm)

70"  
(177 cm)

Sterile: 20/bx  
Nonsterile: 50/cs

Incise Drape

D2258



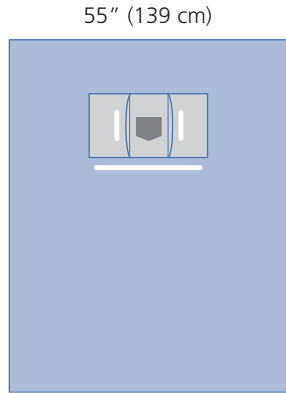
Adhesive Area  
4.5" x 5" (11 cm x 12 cm)  
Pouch  
21" x 11.5" (53 cm x 29 cm)

75"  
(190 cm)

Sterile: 10/bx  
Nonsterile: 100/cs

Incise Sheet with moldable bridge

D1165



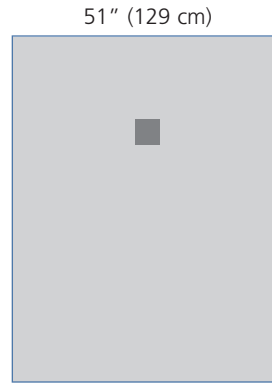
Adhesive Area  
4.5" x 5" (11 cm x 12 cm)  
Pouch  
21" x 11.5" (53 cm x 29 cm)

115"  
(292 cm)

Sterile: 20/bx  
Nonsterile: 50/cs

Incise Drape

C1060L\*



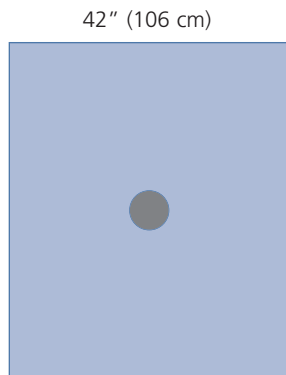
Adhesive Area  
4.25" x 5" (10 cm x 12 cm)

75"  
(190 cm)

Sterile: 10/bx  
Nonsterile: 100/cs

Incise Drape

D2019



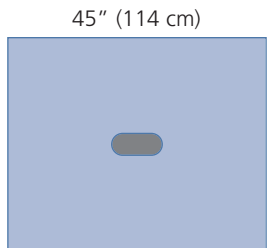
Adhesive Area  
3" Dia. (7 cm Dia.)

48"  
(121 cm)

Sterile: 30/bx  
Nonsterile: 100/cs

Incise Drape

C2312\*



Adhesive Area  
7.5" x 3.25" (18 cm x 8 cm)

42"  
(106 cm)

Sterile: 30/bx  
Nonsterile: 100/cs sold by each

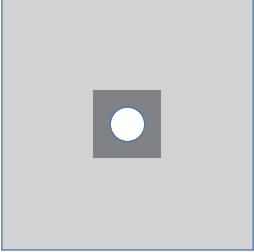
PRODUCT KEY: Adhesive Matte Film Clear Film Nonwoven Fabric

# Ophthalmic Aperture Drapes

## Aperture Drape

D1020

Aperture  
2.5" Dia. 6 cm Dia.



16" (40 cm)

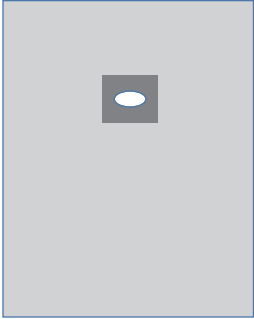
16" (40 cm)

Sterile: 10/bx  
Nonsterile: 200/cs

## Aperture Drape

D1030

Aperture  
3" x 2" (7 cm x 5 cm)



33" (83 cm)

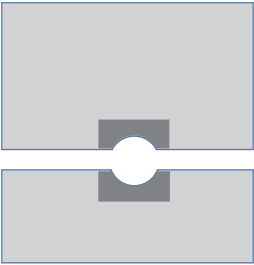
51" (129 cm)

Sterile: 10/bx  
Nonsterile: 100/cs

## Refractive Drape with split aperture

D1022

Aperture  
1.5" x 1" (4 cm x 2.5 cm)



16" (40 cm)

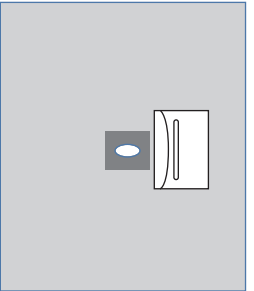
10.75" (27 cm)

Sterile: 10/bx  
Nonsterile: 200/cs

## Aperture Drape

D1031

Aperture  
3" x 2" (7 cm x 5 cm)  
Pouch  
11" x 12" (28 cm x 30 cm)



48" (121 cm)

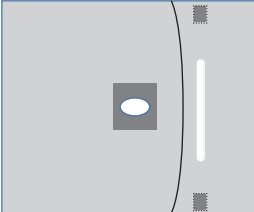
51" (129 cm)

Sterile: 10/bx  
Nonsterile: 100/cs

## Aperture Pouch

D1024

Aperture  
2" x 1.5" (5 cm x 4 cm)  
Adhesive Tabs  
(2) 1" x 2" (2.5 cm x 5 cm)



19" (48 cm)

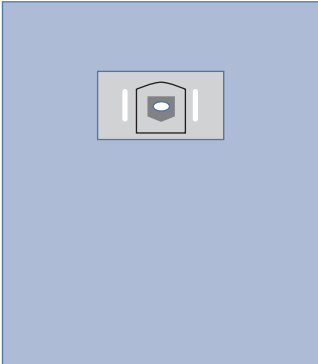
15" (38 cm)

Sterile: 10/bx  
Nonsterile: 100/cs

## Aperture Drape

D1064

Aperture  
2" x 1.5" (5 cm x 4 cm)  
Pouch  
21" x 11.5" (53 cm x 29 cm)



55" (139 cm)

70" (177 cm)

Sterile: 20/bx  
Nonsterile: 50/cs

PRODUCT KEY:  Adhesive  Matte Film  Clear Film  Nonwoven Fabric

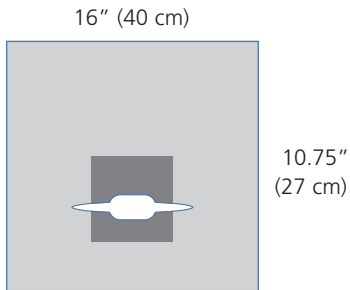
\*NOTE: "C" Product codes require a 4-6 week lead time.

## Ophthalmic Aperture Drapes

### Refractive Drape

D1122

Aperture  
1.5" x 1" (4 cm x 2.5 cm)

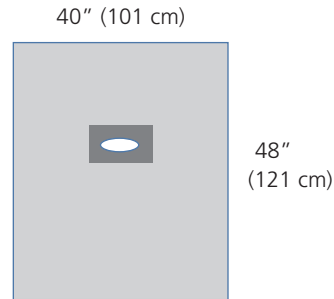


Sterile: 10/bx  
Nonsterile: 200/cs

### Strabismus Drape

D2043

Aperture  
5.2" x 1.5" (13 cm x 4 cm)

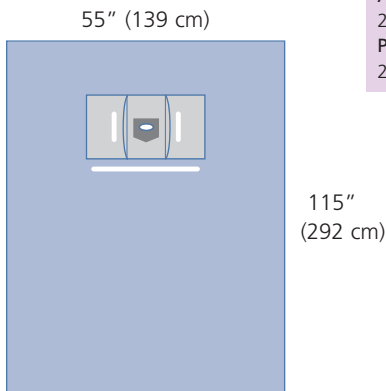


Sterile: 10/bx  
Nonsterile: 100/cs

### Aperture Sheet with moldable bridge

D1164

Aperture  
2" x 1.5" (5 cm x 4 cm)  
Pouch  
21" x 12" (53 cm x 30 cm)

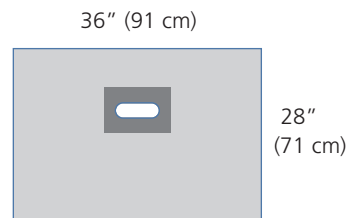


Sterile: 20/bx  
Nonsterile: 50/cs

### Aperture Drape

C2321\*

Aperture  
6.3" x 2.3" (16 cm x 5.8 cm)

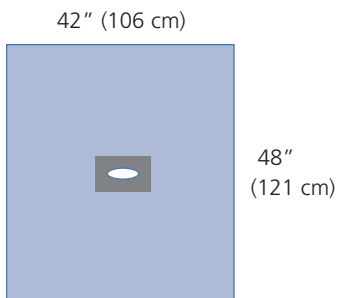


Sterile: 30/bx  
Nonsterile: 100/cs sold by each

### Aperture Drape

D2020

Aperture  
3" x 2" (7 cm x 5 cm)



Sterile: 30/bx  
Nonsterile: 100/cs

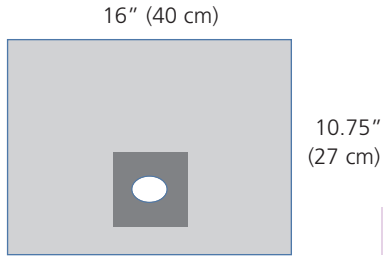
PRODUCT KEY:  Adhesive  Matte Film  Clear Film  Nonwoven Fabric

## Ophthalmic Aperture Drapes

### Refractive Drape

C2334\*

Aperture  
1.5" x 1" (4 cm x 2.5 cm)

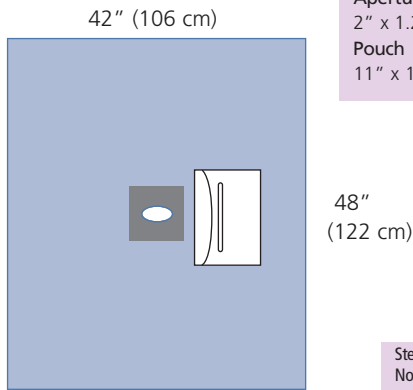


Sterile: 10/bx  
Nonsterile: 200/cs sold by each

### Aperture Drape

C2350\*

Aperture  
2" x 1.25" (5 cm x 3 cm)  
Pouch  
11" x 12" (28 cm x 30 cm)



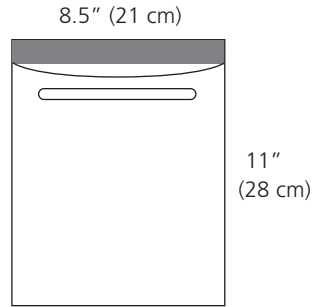
Sterile: 10/bx  
Nonsterile: 100/cs sold by each

## Ophthalmic Accessories

### Irrigation Pouch

D2021

Adhesive  
8.5" x 1" (21 cm x 2.5 cm)

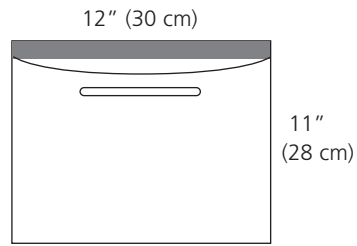


Sterile: 10/bx  
Nonsterile: 200/cs

### Irrigation Pouch

D2114

Adhesive  
12" x 1" (30 cm x 2.5 cm)

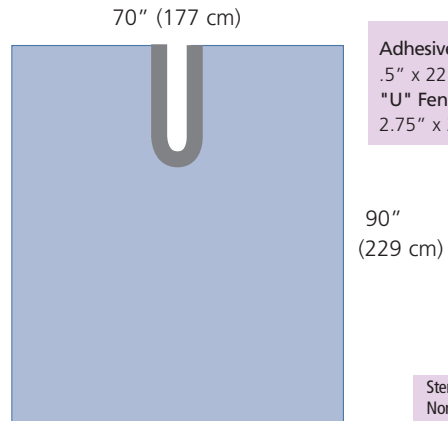


Sterile: 10/bx  
Nonsterile: 200/cs

### Split Sheet

C2316\*

Adhesive  
.5" x 22" (1.3 cm x 56 cm)  
"U" Fenestration  
2.75" x 22" (7 cm x 56 cm)



Sterile: 20/bx  
Nonsterile: 40/cs sold by each

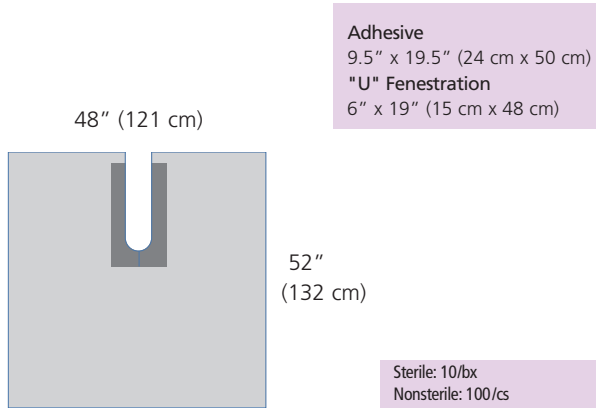
PRODUCT KEY:  Adhesive  Matte Film  Clear Film  Nonwoven Fabric

\*NOTE: "C" Product codes require a 4-6 week lead time.

U-Drapes

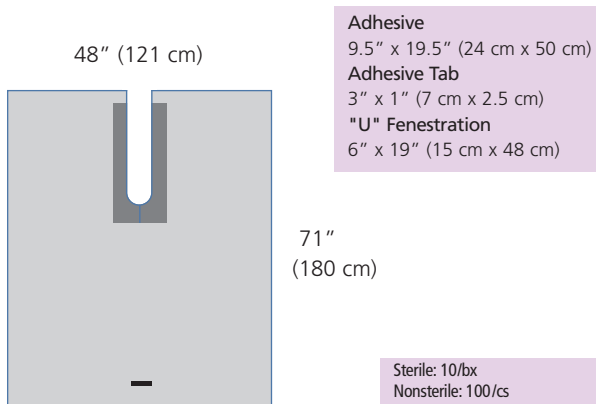
Poly U-Drape

D1015



Poly U-Drape

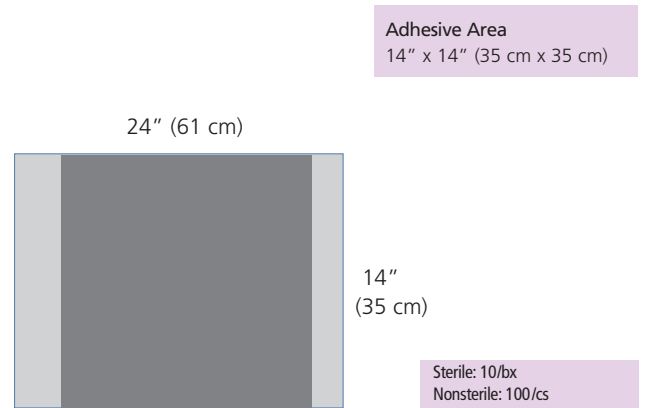
D1019



Incise

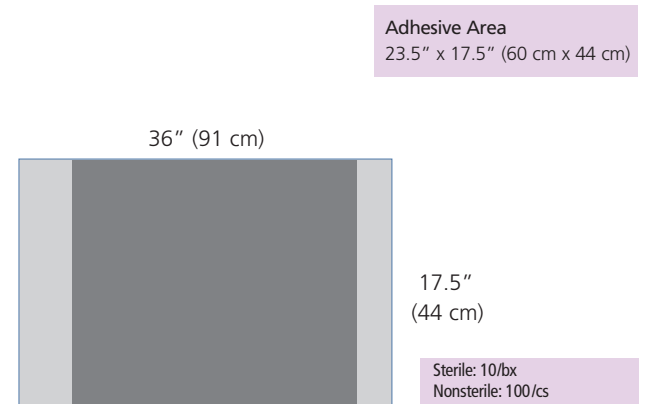
Incise Drape

D1040



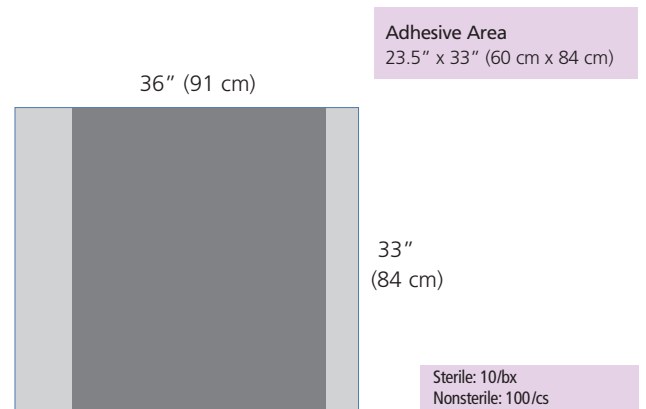
Incise Drape

D1050



Incise Drape

D1051



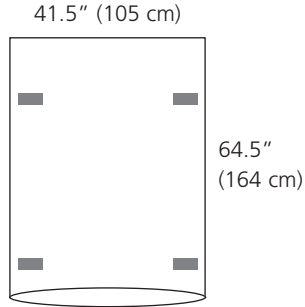
PRODUCT KEY:

- Adhesive
- Matte Film
- Clear Film
- Nonwoven Fabric
- Absorbent Material
- Foam

# Ortho/CV/Neuro Other

## C-Arm Cover

**D1013**

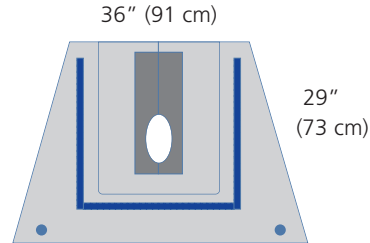


**Adhesive Tabs**  
(4) 1" x 3" (2.5 cm x 8 cm)

Sterile: 10/bx  
Nonsterile: 100/cs

## Shoulder Pouch

**D1067**

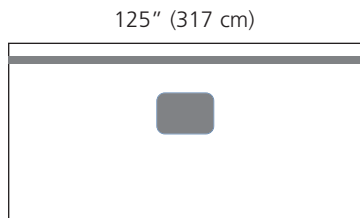


**Adhesive**  
9.5" x 19.5" (24 cm x 50 cm)  
**Aperture**  
7.5" x 10" (19 cm x 25 cm)

Sterile: 5/bx  
Nonsterile: 50/cs

## Patient Isolation Drape

**D1014**

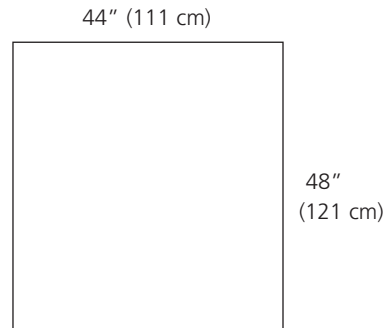


**Adhesive Area**  
9.5" x 19.5" (24 cm x 50 cm)  
**Adhesive Strip**  
125" x .5" (317 cm x 1.3 cm)

Sterile: 5/bx  
Nonsterile: 50/cs

## "Slush" Drape

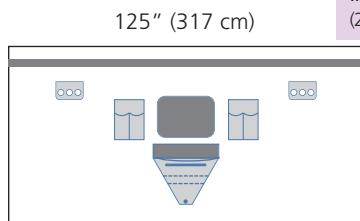
**D2024**



Sterile: 15/bx  
Nonsterile: 200/cs

## Patient Isolation Drape

**D1017**

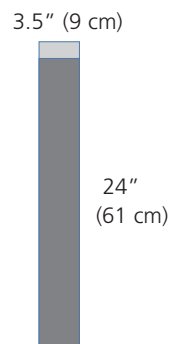


**Adhesive Area**  
9.5" x 19.5" (24 cm x 50 cm)  
**Adhesive Strip**  
125" x .5" (317 cm x 1.3 cm)  
**Fluid Pouch**  
20" x 19" (51 cm x 48 cm)  
**Instrument Pouches**  
(2) 6.7" x 11.5" (17 cm x 29 cm)

Sterile: 5/bx  
Nonsterile: 50/cs


## Tape Strip

**D2029**



**Adhesive Area**  
3.5" x 23.5" (9 cm x 60 cm)

Sterile: 10/bx  
Nonsterile: 200/cs

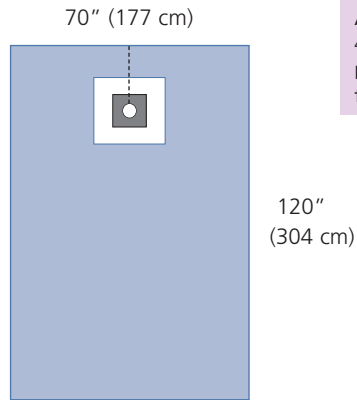
**PRODUCT KEY:**  Adhesive  Matte Film  Clear Film  Nonwoven Fabric  Absorbent Material  Foam

\*NOTE: "C" Product codes require a 4-6 week lead time.

Central Line

Central Line Sheet

D2317C

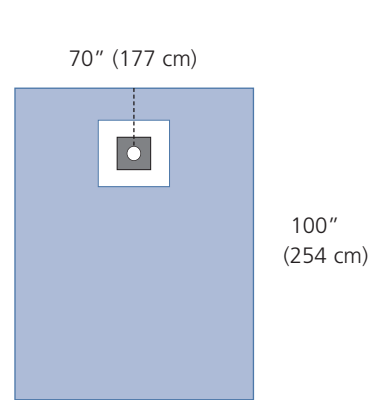


Aperture  
4" Dia. (10 cm Dia.)  
Perforated fenestration slit  
for easy removal

Sterile: 20/bx  
Nonsterile: 50/cs

Central Line Sheet

C2346\*

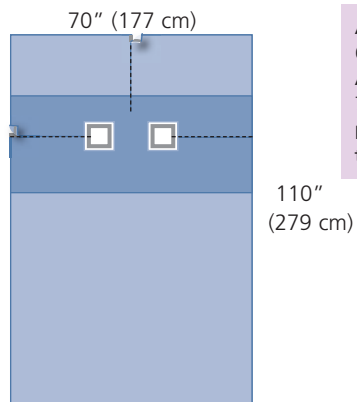


Aperture  
4" Dia. (10 cm Dia.)  
Perforated fenestration slit  
for easy removal

Sterile: 20/bx  
Nonsterile: 50/cs sold by each

PICC Line Insertion Sheet

D2342

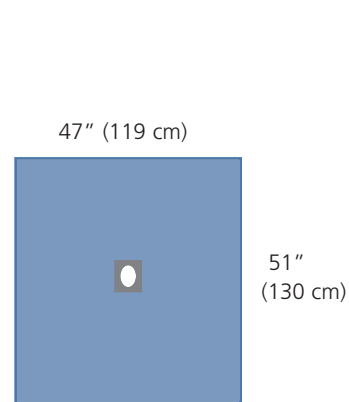


Apertures  
6" x 5" (15 cm x 13 cm)  
Absorbent Pad  
70" x 29.25" (178 cm x 74 cm)  
Resealable perforations at  
top, left and right sides

Sterile: 20/bx  
Nonsterile: 40/cs

PICC Line Drape

C2351\*

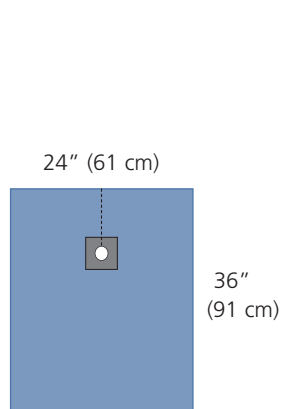


Aperture  
3.5" x 4.5" 8 cm x 11 cm

Sterile: 20/bx  
Nonsterile: 40/cs sold by each

Central Line Drape

C2324\*



Aperture  
4" Dia. (10 cm Dia.)  
Perforated fenestration slit  
for easy removal

Sterile: 30/bx  
Nonsterile: 100/cs sold by each

PRODUCT KEY:

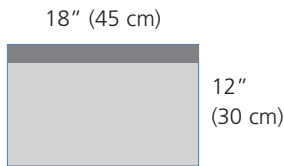
-  Adhesive
-  Matte Film
-  Clear Film
-  Nonwoven Fabric
-  Absorbent Material

# Utility

## Towel Drape

D1000

Adhesive  
18" x 1.5" (45 cm x 3.8 cm)



Sterile: 10/bx  
Nonsterile: 200/cs

## PREP-Drape® Towel Drape on a Roll

D1010RL

Adhesive  
18" x 1.5" (45 cm x 3.8 cm)  
Perforated 18" sections  
for easy tear-off

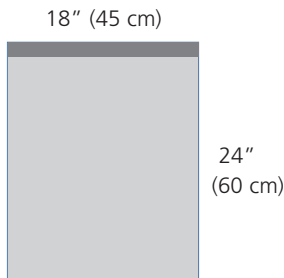


Nonsterile: 50/roll, 4 rolls/cs

## Towel Drape

D1010

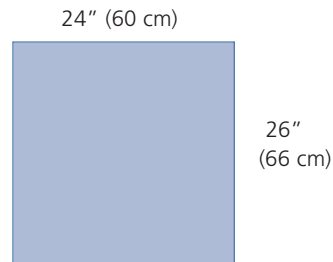
Adhesive  
18" x 1.5" (45 cm x 3.8 cm)



Sterile: 10/bx  
Nonsterile: 200/cs

## Utility Drape (2 drapes per pkg)

D1089



Sterile: 20 pkgs/bx  
Nonsterile: 200/cs

## PREP-Drape® Towel Drape on a Roll

D1000RL

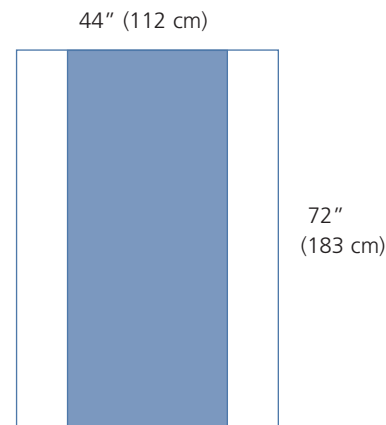
Adhesive  
18" x 1.5" (45 cm x 3.8 cm)  
Perforated 18" sections  
for easy tear-off



Nonsterile: 50/roll, 4 rolls/cs

## Absorbent Impervious Sheet

C2235\*



Sterile: 20/bx  
Nonsterile: 50/cs

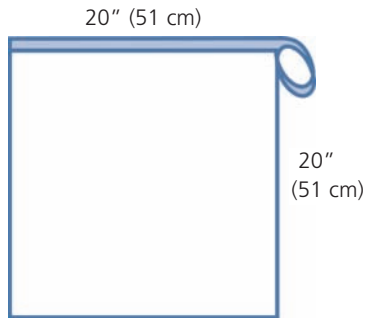
PRODUCT KEY:  Adhesive  Matte Film  Clear Film  Nonwoven Fabric  Absorbent Material

\*NOTE: "C" Product codes require a 4-6 week lead time.

Bags/Pouches

Isolation Bag

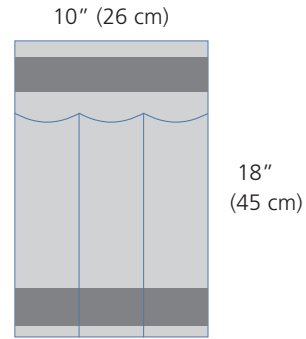
D1003



Sterile: 10/bx  
Nonsterile: 100/cs

Instrument Pouch

D1018L

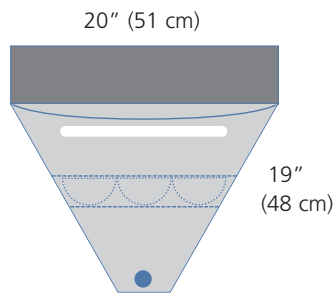


Adhesive  
(2) 10" x 2" (26 cm x 5 cm)

Sterile: 10/bx  
Nonsterile: 100/cs

Fluid Pouch

D1016

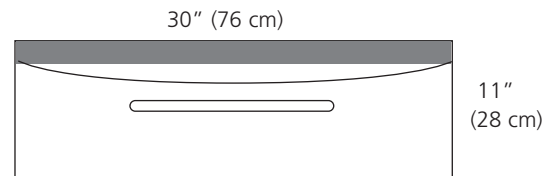


Adhesive  
20" x 3.5" (50 cm x 9 cm)

Sterile: 10/bx  
Nonsterile: 100/cs

Irrigation Pouch

C2326\*

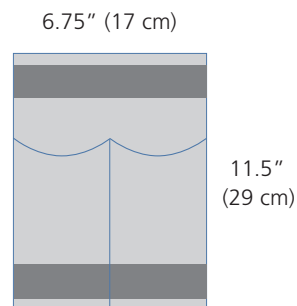


Adhesive  
30" x 1" (76 cm x 2.5 cm)

Sterile: 10/bx  
Nonsterile: 200/cs sold by each

Instrument Pouch

D1018



Adhesive  
(2) 6.75" x 2" (17 cm x 5 cm)

Sterile: 10/bx  
Nonsterile: 200/cs

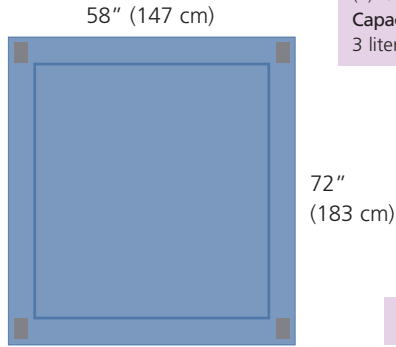
PRODUCT KEY: Adhesive Matte Film Clear Film Nonwoven Fabric Absorbent Material

## Mats

## Covers

### Floor Mat

D2076NS

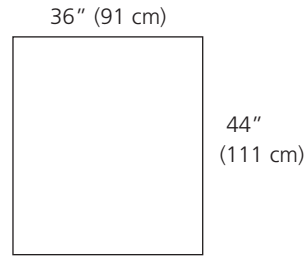


Adhesive Tabs  
(4) .5" x 2" (1.2 cm x 5 cm)  
Capacity  
3 liters

Nonsterile: 12/cs

### Clear Cover

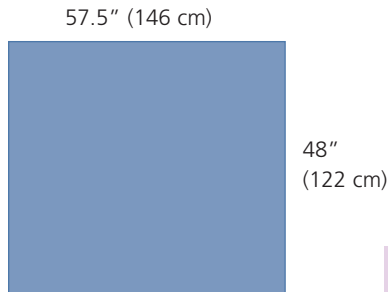
D2007



Sterile: 30/bx  
Nonsterile: 200/cs

### Floor Mat

D2246NS

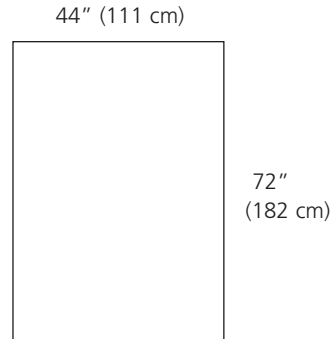


Capacity  
2 liters

Nonsterile: 20/cs

### Clear Cover

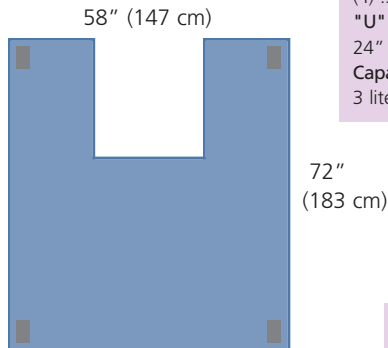
D2008



Sterile: 25/bx  
Nonsterile: 200/cs

### U Floor Mat

C2176NS\*

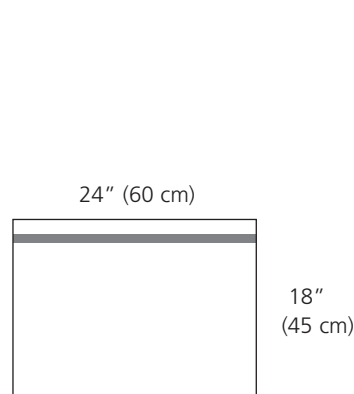


Adhesive Tabs  
(4) .5" x 2" (1.2 cm x 5 cm)  
"U" Fenestration  
24" x 25" (61 cm x 63 cm)  
Capacity  
3 liters

Nonsterile: 20/cs

### Instrument Cover

D2158



Adhesive  
24" x .5" (60 cm x 1.2 cm)

Sterile: 10/bx  
Nonsterile: 200/cs

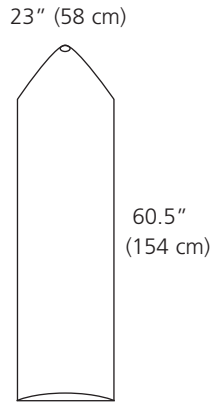
PRODUCT KEY:  Adhesive  Matte Film  Clear Film  Nonwoven Fabric  Absorbent Material

\*NOTE: "C" Product codes require a 4-6 week lead time.

Covers

Powerhead Injection Cover

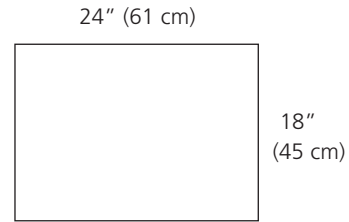
C2107\*



Sterile: 10/bx  
Nonsterile: 100/cs sold by each

Instrument Cover

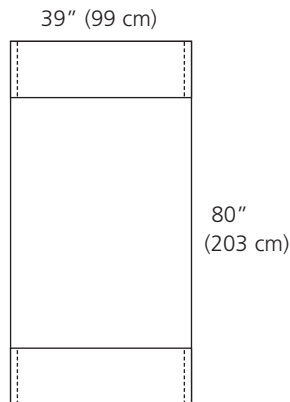
C2329\*



Sterile: 10/bx  
Nonsterile: 200/cs sold by each

Gurney Cover

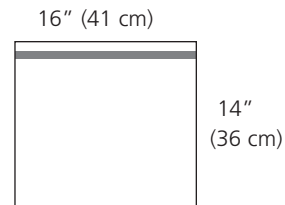
C2225NS\*



Nonsterile: 40/cs

Monitor Cover

C2338\*

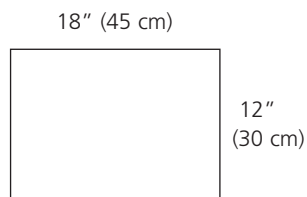


Adhesive  
16" x .5" (41 cm x 1.2 cm)

Sterile: 50/bx  
Nonsterile: 200/cs sold by each

Instrument Cover

C2295\*



Sterile: 10/bx  
Nonsterile: 200/cs sold by each

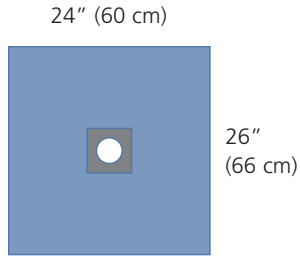
PRODUCT KEY:

- Adhesive
- Matte Film
- Clear Film
- Nonwoven Fabric
- Absorbent Material
- Foam

# Aperture

## Minor Procedure Drape

**D1092**

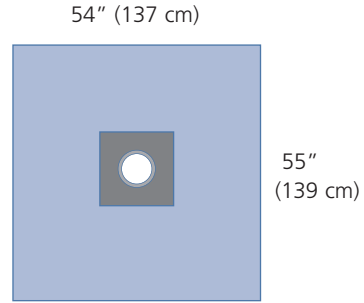


**Aperture**  
2.5" Dia. (6 cm Dia.)

Sterile: 25/box  
Nonsterile: 100/cs

## Small Aperture Drape

**C2280\***

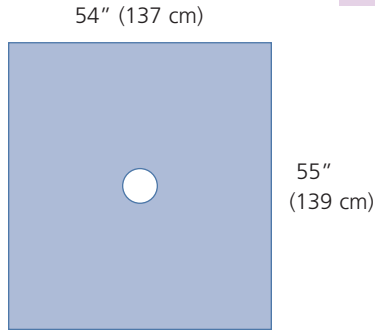


**Aperture**  
4" Dia. (10 cm Dia.)

Sterile: 20/box  
Nonsterile: 100/cs sold by each

## Aperture Drape

**D2147**

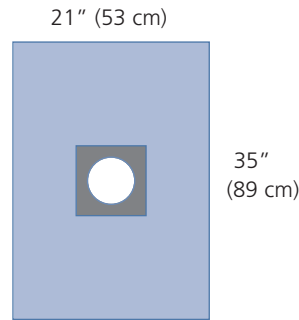


**Aperture**  
4" Dia. (10 cm Dia.)

Sterile: 30/box  
Nonsterile: 100/cs

## Small Aperture Drape

**C2299\***

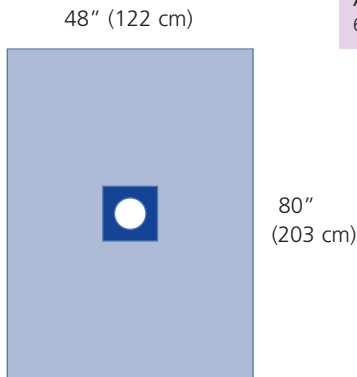


**Aperture**  
5" Dia. (13 cm Dia.)

Sterile: 20/box  
Nonsterile: 100/cs sold by each

## Small Aperture Sheet

**C2153\***

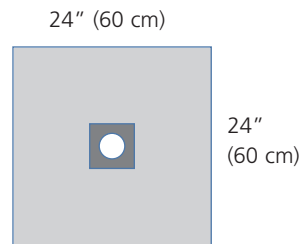


**Aperture**  
6" Dia. (15 cm Dia.)

Sterile: 10/box  
Nonsterile: 50/cs

## Aperture Drape

**C2327\***



**Aperture**  
2.5" Dia. (6.35 cm Dia.)

Sterile: 10/box  
Nonsterile: 100/cs sold by each

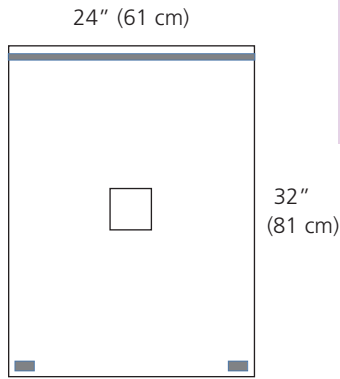
**PRODUCT KEY:**  Adhesive  Matte Film  Clear Film  Nonwoven Fabric  Absorbent Material  Foam

\*NOTE: "C" Product codes require a 4-6 week lead time.

Aperture

Epidural Drape

C2348\*

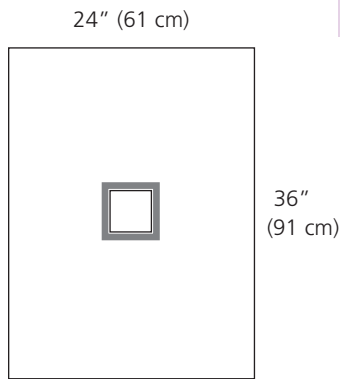


Aperture  
4" x 4" (10 cm x 10 cm)  
Adhesive Strip  
24" x .5" (61 cm x 1 cm)  
Adhesive Tabs  
(2) 2" x 1" (5 cm x 2.5 cm)

Sterile: 20/bx  
Nonsterile: 200/cs sold by each

Epidural Drape

C2358\*



Aperture  
4" x 4" (10 cm x 10 cm)

Sterile: 20/bx  
Nonsterile: 200/cs sold by each

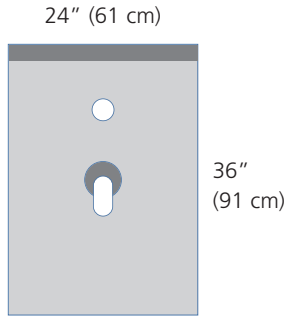
PRODUCT KEY:

- Adhesive
- Matte Film
- Clear Film
- Blue Film
- Nonwoven Fabric
- Absorbent Material
- Foam

# OB/GYN/Urology

## Urological Drape

D1071

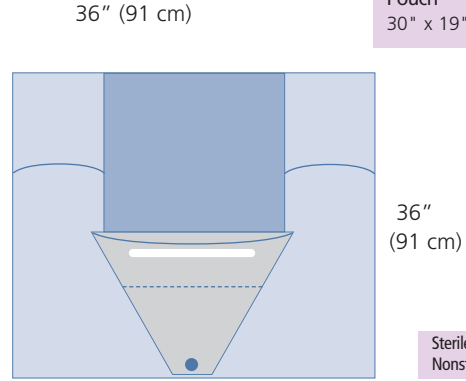


**Adhesive**  
24" x 2.7" (61 cm x 7 cm)  
**Aperture**  
1" Dia. 2.5 cm Dia.  
**Finger Cot Adhesive**  
4" Dia. (10 cm Dia.)

Sterile: 10/bx  
Nonsterile: 50/cs

## Peri/OB Drape

D2085

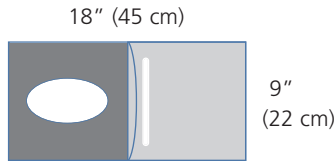


**Pouch**  
30" x 19" (76 cm x 48 cm)

Sterile: 20/bx  
Nonsterile: 50/cs

## Aperture Pouch

D1072

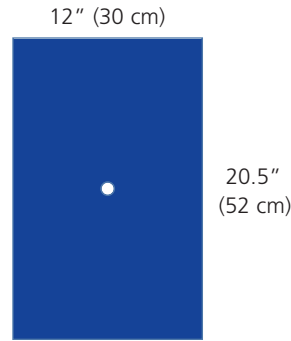


**Aperture**  
4.75" x 3.75" 12 cm x 9 cm

Sterile: 10/bx  
Nonsterile: 100/cs

## Foam Circumcision Drape

C2111\*

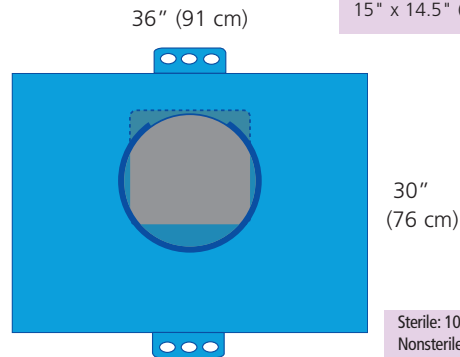


**Aperture**  
.63" Dia. (1.6 cm Dia.)

Sterile: 40/bx  
Nonsterile: 100/cs

## Cesarean Incise Pouch








D2057



**Adhesive Area**  
15" x 14.5" (38 cm x 36 cm)

Sterile: 10/bx  
Nonsterile: 50/cs

**PRODUCT KEY:**

-  Adhesive
-  Matte Film
-  Clear Film
-  Blue Film
-  Nonwoven Fabric
-  Absorbent Material
-  Foam

\*NOTE: "C" Product codes require a 4-6 week lead time.

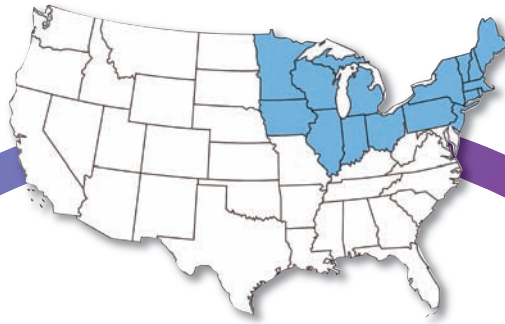
## ALPHA-NUMERIC INDEX

Product Code	Page	Product Code	Page	Product Code	Page
C1060L/C1060LNS*	7	D1018/D1018NS	15	D2043/D2043NS	9
C2107/C2107NS*	17	D1018L/D1018LNS	15	D2057/D2057NS	20
C2111/C2111NS*	20	D1019/D1019NS	11	D2076NS	16
C2153/C2153NS*	18	D1020/D1020NS	8	D2085/D2085NS	20
C2176NS*	15	D1021/D1021NS	6	D2114/D2114NS	10
C2225NS*	17	D1022/D1022NS	8	D2147/D2147NS	18
C2235/C2235NS*	14	D1024/D1024NS	8	D2158/D2158NS	15
C2280/C2280NS*	18	D1025/D1025NS	6	D2246NS	16
C2295/C2295NS*	17	D1030/D1030NS	8	D2258/D2258NS	7
C2299/C2299NS*	18	D1031/D1031NS	8	D2317C/D2317NSC	13
C2312/C2312NS*	7	D1035/D1035NS	6	D2342/D2342NS	13
C2316/C2316NS*	10	D1040/D1040NS	11	D371049/D371049NS	3
C2321/C2321NS*	9	D1050/D1050NS	11	D371053/D371053NS	4
C2324/C2324NS*	13	D1051/D1051NS	11	D371054/D371054NS	4
C2326/C2326NS*	15	D1060/D1060NS	6	D371055/D371055NS	5
C2327/C2327NS*	18	D1061/D1061NS	6	D371062/D371062NS	3
C2329/C2329NS*	17	D1062/D1062NS	6	D371063/D371063NS	3
C2334/C2334NS*	10	D1064/D1064NS	8	D371064/D371064NS	3
C2338/C2338NS*	17	D1065/D1065NS	7	D37612210/D37612210NS	3
C2346/C2346NS*	13	D1067/D1067NS	12	D376205	5
C2348/C2348NS*	19	D1071/D1071NS	20	D37624310/D37624310NS	4
C2358/C2358NS*	19	D1072/D1072NS	20	D37624410/D37624410NS	4
C2350/C2350NS*	10	D1089/D1089NS	14	D37624510/D37624510NS	4
C2351/C2351NS*	13	D1092/D1092NS	18	D37624610/D37624610NS	4
D1000/D1000NP/D1000NS	14	D1122/D1122NS	9	D6617/D6617NS	2
D1000RL	14	D1164/D1164NS	9	D6619/D6619NS	2
D1003/D1003NS	15	D1165/D1165NS	7	D6635/D6635NS	1
D1010/D1010NP/D1010NS	14	D2007/D2007NS	15	D6640/D6640NS	1
D1010RL	14	D2008/D2008NS	15	D6648/D6648NS	1
D1013/D1013NS	12	D2019/D2019NS	7	D6650/D6650NS	1
D1014/D1014NS	12	D2020/D2020NS	9	D6651/D6651NS	1
D1015/D1015NP/D1015NS	11	D2021/D2021NS	9	D6657/D6657NS	2
D1016/D1016NS	15	D2024/D2024NS	12	D6697/D6697NS	2
D1017/D1017NS	12	D2029/D2029NS	12		

\*NOTE: "C" Product codes require a 4-6 week lead time.

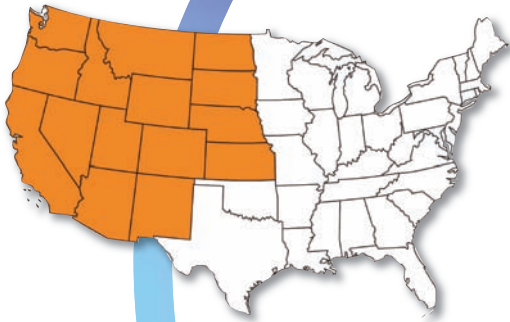
# Contact MCD

To request samples,  
place orders, or for  
general questions, call  
**800-345-0644**



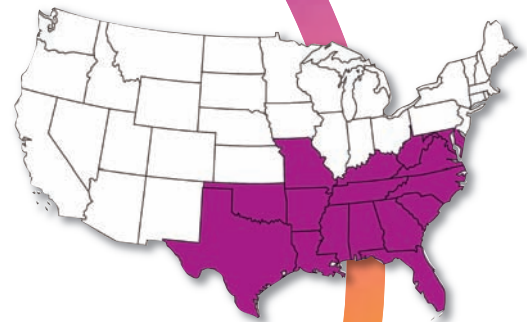
## North Region

Tel: 800-345-0644 Ext. 5139  
email: north@medconceptsdev.com



## West Region

Tel: 800.345.0644 Ext. 5156  
west@medconceptsdev.com



## South Region

Tel: 800-345-0644 Ext. 5342  
south@medconceptsdev.com

Find us on the Web at  
[www.medconceptsdev.com](http://www.medconceptsdev.com)



MCD's Website is all-new,  
with improved searching,  
cross-reference and navigation  
features to help you find  
solutions to all your  
draping needs.

# Interventional Cardiology/Radiology Drapes

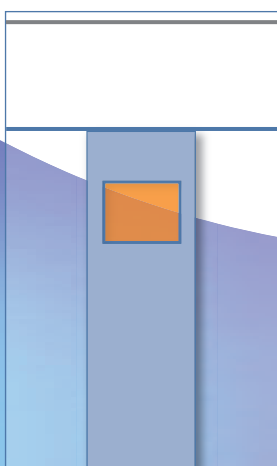
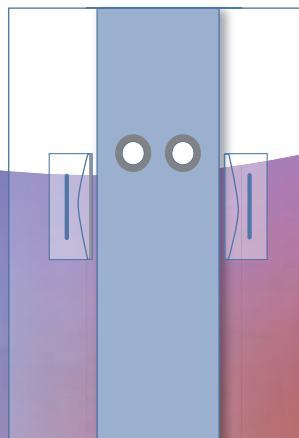
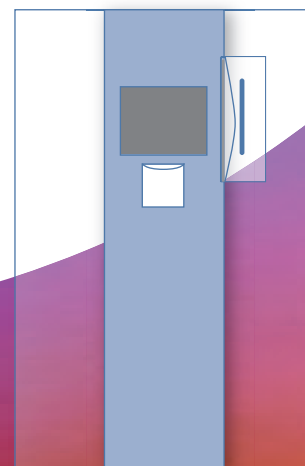
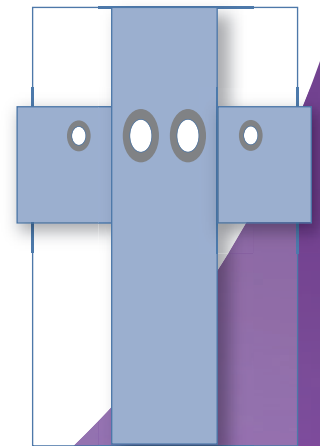
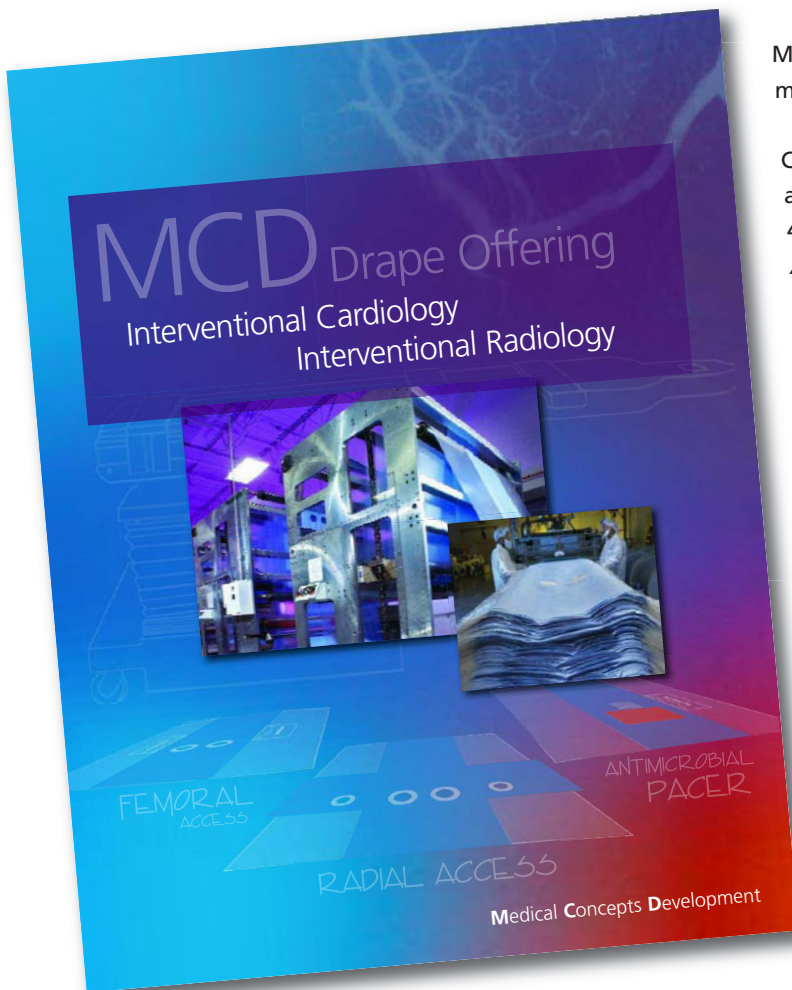
MCD can offer Cath and EP Labs over 60 unique products to meet their specific needs.

Choose from our new line of dual access transradial/femoral angiography drapes, *ANGIO-Shield*® drapes with AAMI Level 4 barrier protection, or our pacemaker insertion sheets with *ACTI-Gard*® antimicrobial incise.

MCD's state-of-the-art automation allows us to refine our current designs or create custom drapes to meet your needs quickly and responsively.

Download a PDF version of our IC/IR product guide at:

[www.medconceptsdev.com](http://www.medconceptsdev.com)



All MCD  
Products are  
Made in USA



MCD's Authorized Representative  
for CE Marked Products:  
**Scanlan Group B.V.**  
Postbus 75664, 1118 ZS Schiphol-Tripport, The Netherlands  
Tel +31-(0)20-653 0553 Fax +31-(0)20-653 3053

©2011 Medical Concepts Development  
2500 Ventura Drive, St. Paul, MN 55125  
Tel 800.345.0644 Fax 651.735.7197  
[www.medconceptsdev.com](http://www.medconceptsdev.com)

© 2011 Medical Concepts Development Inc. The information contained herein is subject to change without notice. MCD shall not be liable for technical or editorial errors or omissions contained herein.

AX-33 Rev H